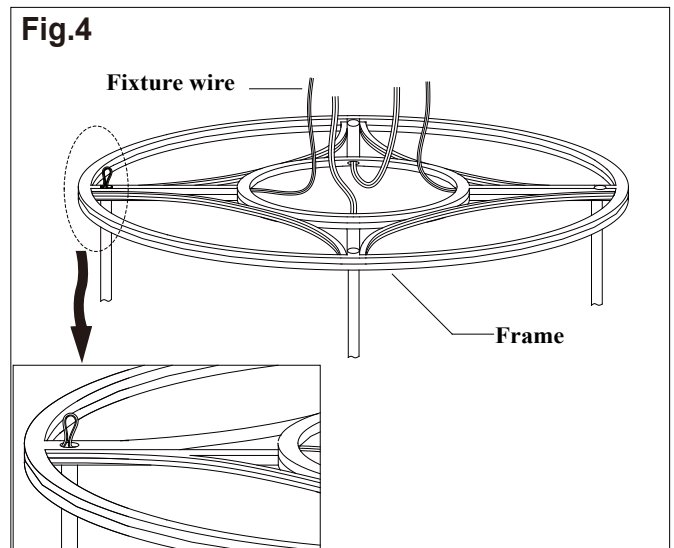
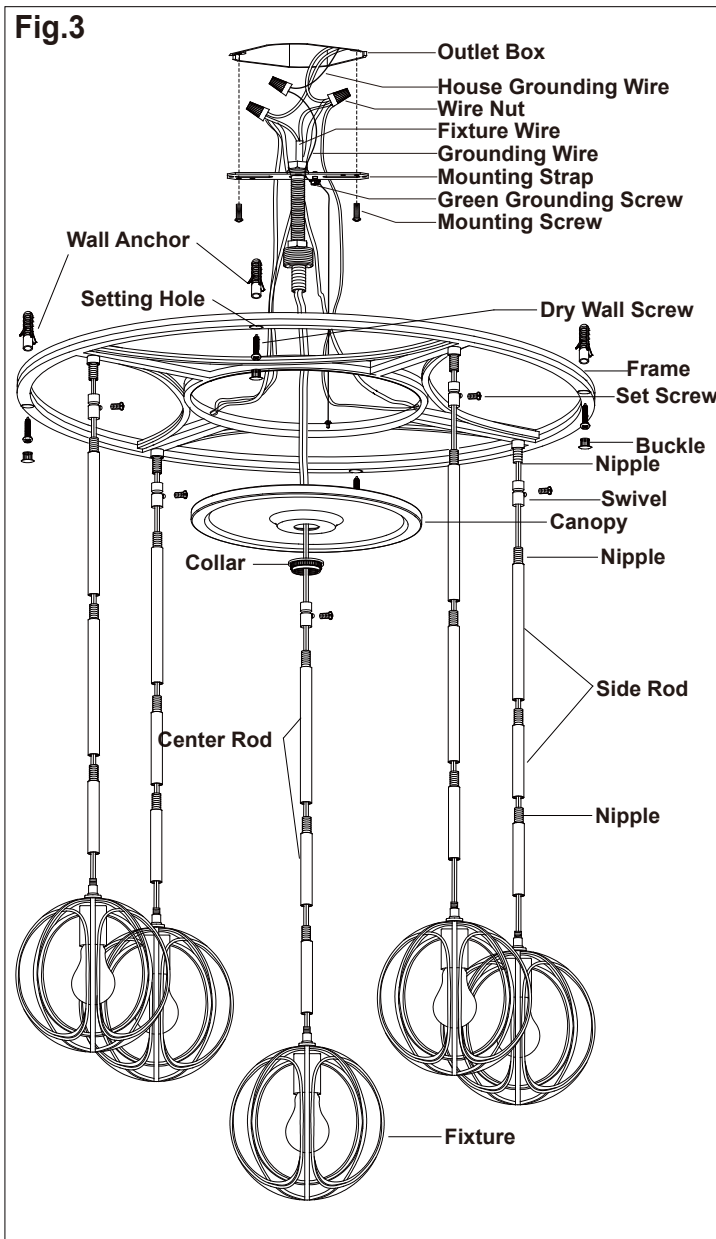
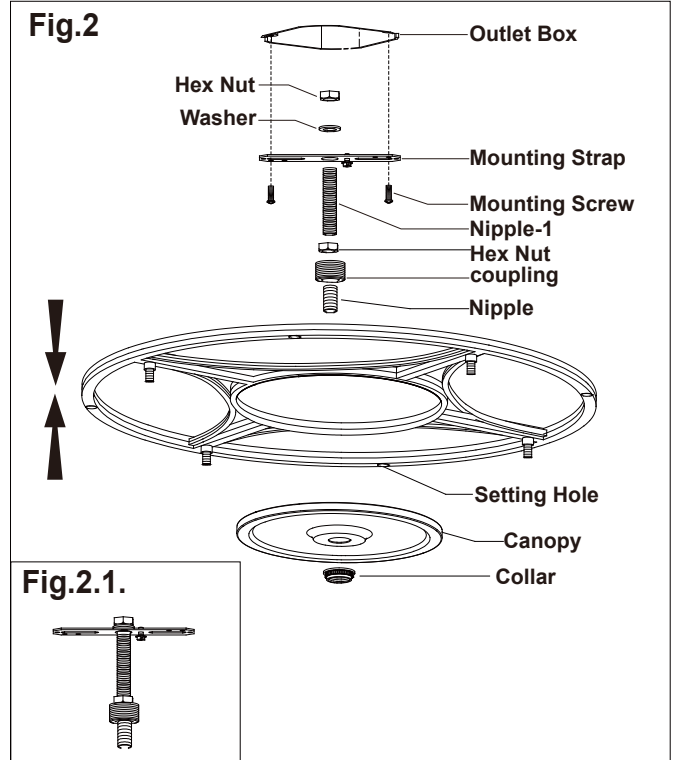
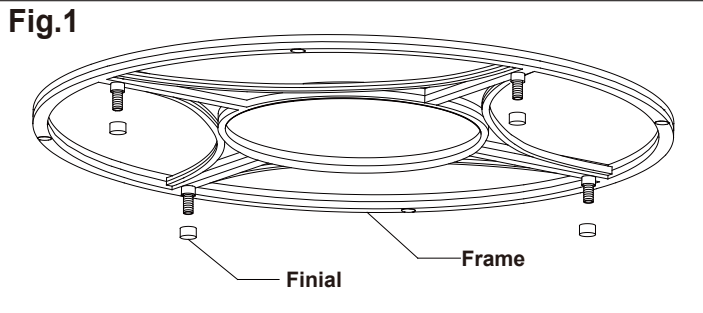


ASSEMBLY AND INSTALLATION INSTRUCTIONS

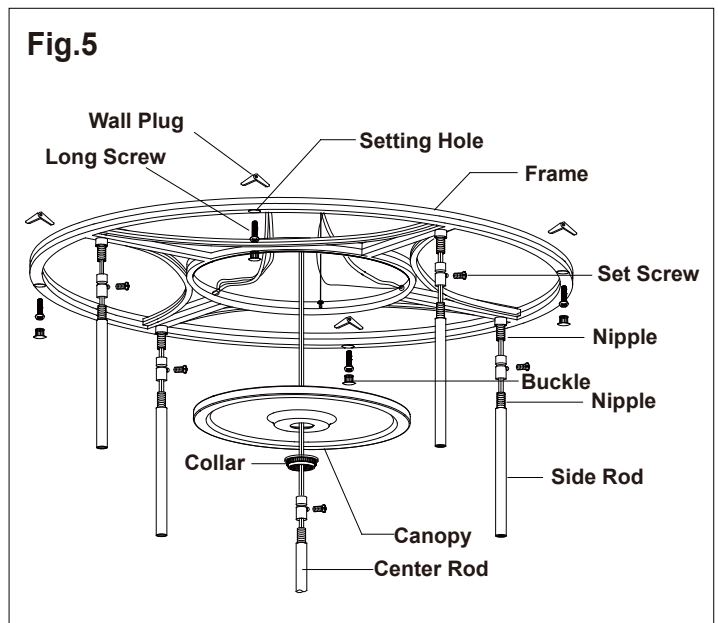
P0025

WARNING: BE SURE TO SHUT OFF POWER AT THE MAIN FUSE OR CIRCUIT BREAKER BOX BEFORE INSTALLING OR SERVICING THIS FIXTURE.

**NOTE: 1. Before installing, consult local electrical codes for wiring and grounding requirements.
2. READ AND SAVE THESE INSTRUCTIONS.**



1. Carefully unpack the fixture, lay out the fixture on a clean surface.
2. Remove and save the finial. (Fig.1)
3. Install a hex nut onto one end of the nipple-1 leaving about 3/8" (10mm) thread exposed. Install same end of nipple-1 by screwing into coupling, secure nipple-1 by tightening the hex nut, attach the nipple to the coupling. (Fig. 2)
4. Attach the nipple-1 to the mounting strap, then secure it with a washer and hex nut.
5. Attach the mounting strap to the outlet box by using two mounting screws.
6. Place the frame over the outlet box, making sure the Nipple-1 feeds through its center hole, then secure them with a canopy and collar. Mark the 4 setting holes of the frame on the ceiling, drill four holes at the marked places. (Fig.2)



7. Unscrew the collar and remove the canopy and frame. Unscrew the mounting screws and remove the mounting strap away from the outlet box. (Fig.2)

Note: Do not separate the mounting strap, hex nuts, washer, nipple-1, coupling and nipple.

8. Take the proper numbers of the rods. (Fig.3)

Side Rod connections:

- a. Thread the fixture wire from the fixture through the down rod, and secure the down rod to the fixture.
- b. Thread the fixture wire from the down rod through the middle rod and secure the middle rod with the nipple.
- c. Thread the fixture wire through the upper rod, and then secure the upper rod with the nipple.
- d. Thread the fixture wire through the swivel, secure the upper rod to the swivel, then tighten the nipple to the swivel with 1 set screw.
- e. Thread the fixture wire through the nipple and frame as showed Fig.4, and then secure the swivel to the frame.
- f. Complete the same steps for the other side rods.

*** The height can be adjustable by adding or reducing one or two rod from upper rods and middle rods.**

Center Rod connections:

- a. Thread the fixture wire from the fixture through the down rod, and secure the down rod to the fixture.
- b. Thread the fixture wire from the down rod through the middle rod and secure the middle rod with the nipple.
- c. Thread the fixture wire through the upper rod, and then secure the upper rod with the nipple.
- d. Thread the fixture wire through the swivel, collar, canopy, frame and nipple-1. Slip the collar, canopy and frame until they rest on top of the fixture. Next, connect the upper rod to swivel and coupling. Tighten the nipple to the swivel with 1 set screw.

*** The height can be adjustable by adding or reducing one or two rod from upper rods and middle rods.**

9. Fix the frame to the ceiling.

a) If the ceiling material is concrete: (Fig.3)

Thread the wall anchors into the 4 holes of the ceiling. Attach the mounting strap to the outlet box by using two mounting screws. Place the frame over mounting strap, adjust frame, making sure that the wall anchor feeds through its setting hole, then secure it with dry wall screws.

b) If the ceiling material is wooden: (Fig.5)

Attach the mounting strap to the outlet box by using two mounting screws. Secure the long screws through the holes of the frame and wall plugs, Place the frame over mounting strap, Then attach the wall plugs into the holes of the wooden ceiling until the wall plugs are locked.

10. Attach the buckles onto setting holes.
11. Cut any excess fixture wires leaving only about 8" (20cm) length from the top end of nipple-1, then strip off 3/4" the fixture wires of plastic from each end.
12. Pull out the outlet wires and house grounding wire from the outlet box. Make wire connections using the wire nuts:
 - All black wires from rods to the black wire from power source.
 - All white wires from rods to the white wire from power source.
 - Attach the grounding wire to the mounting strap with the green grounding screw. Then connect it to the house grounding wire with a wire nut.Carefully put the wires back into the outlet box.
13. Attach the canopy to the frame, and secure it with a collar.
14. Install bulbs (not included). See relamping label at socket area or packaging for maximum allowed wattage.
15. Turn on the power at the main fuse or circuit breaker box.