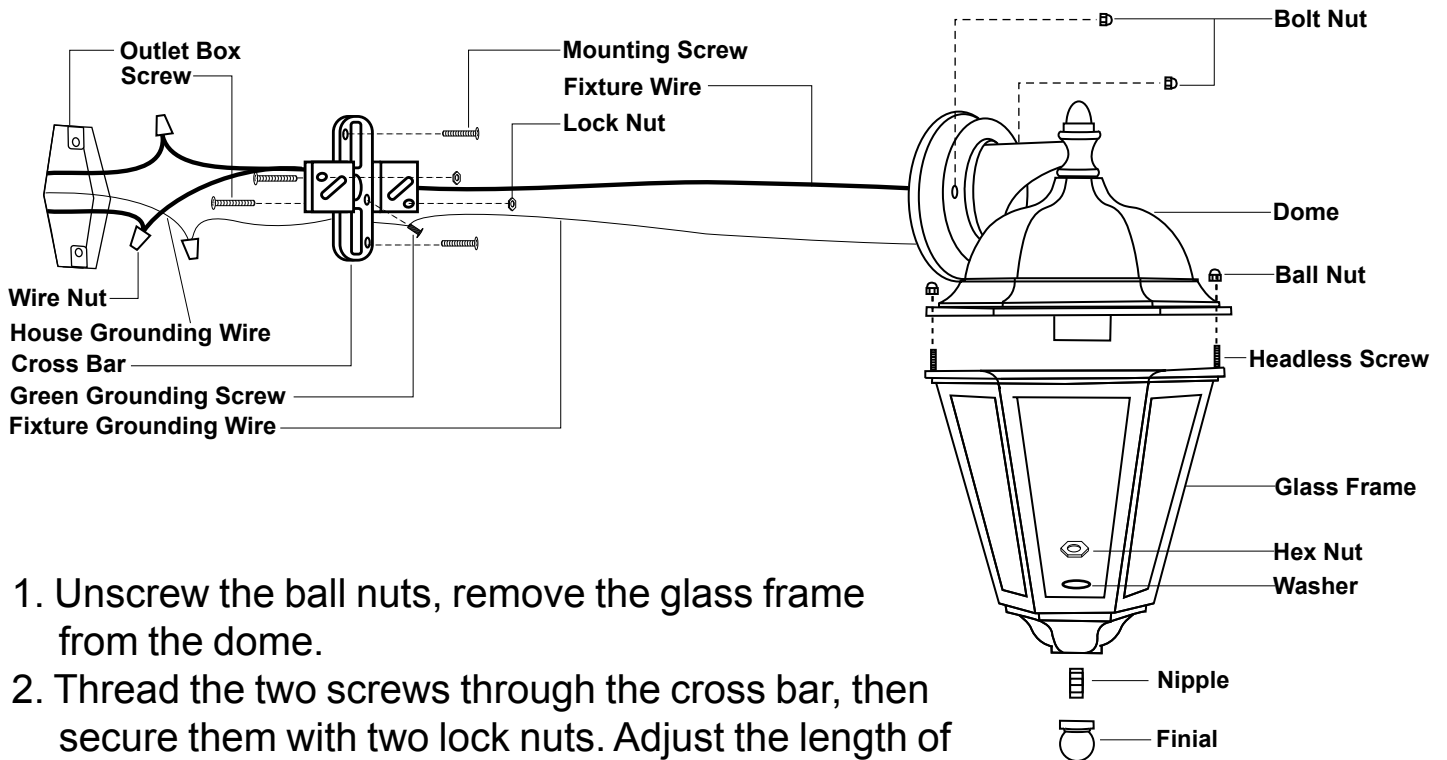


# ASSEMBLY AND INSTALLATION INSTRUCTIONS

OW24283

**WARNING: BE SURE TO SHUT OFF POWER AT THE MAIN FUSE OR CIRCUIT BREAKER BOX BEFORE INSTALLING OR SERVICING THIS FIXTURE.**

**NOTE: Before installing, consult local electrical codes for wiring and grounding requirements.**



1. Unscrew the ball nuts, remove the glass frame from the dome.
2. Thread the two screws through the cross bar, then secure them with two lock nuts. Adjust the length of the screws if necessary.
3. Attach the cross bar to the outlet box by using two mounting screws.
4. Pull out the outlet wires and house grounding wire from the outlet box. Make wire connections using the wire nuts:
  - The black wire from the light to the black wire from the power source.
  - The white wire from the light to the white wire from the power source.
  - Attach the fixture grounding wire to the cross bar with the green grounding screw. Then connect it to the house grounding wire with a wire nut.Carefully tuck the wires back into the outlet box.
5. Attach the fixture to the cross bar by inserting two screws, then secure it with two bolt nuts.
6. Install a bulb (not included). See relamping label at socket area or packaging for maximum allowed wattage.
7. Secure the nipple into the finial, attach them upward to the bottom of the glass frame with the nipple through the hole on it, then secure them with a washer and hex nut.
8. Restore the glass frame to the dome, then secure it with two ball nuts.
9. Turn on the power at the main fuse or circuit breaker box.